

Superclamps

Jubilee® Superclamps are manufactured in mild steel zinc plated, all 304 stainless steel and all 316 stainless steel and the latter are predominantly suited for applications where high corrosion resistance is required. These powerful clamps are ideal for marine and offshore oil and gas applications, as well as the food and chemicals industries.

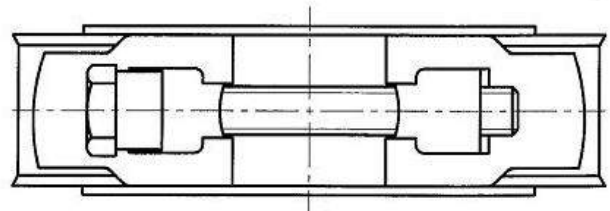


These clamps can also be used in place of SAE J1508 type TB or T-Bolt style clamps.

Available from size 17mm, with size 64mm and above offering the highest tightening torques with 8.8 high tensile bolts allowing an impressive maximum recommended torque of 25 Nm. Naturally with the smaller clamps using a smaller bolt the torques are lower, but even so, the torques are impressive by comparison to alternatives for the same size range.

Superclamps are particularly suited for delivery and suction hoses requiring a very tight seal and agricultural applications, waste water extraction, mining, quarrying or on other sectors where a heavy-duty clamp is required.

- Single nut adjustment
- Smooth band protects hose
- Bridge piece ensures 360° seal
- Solid trunion maximises torque
- Assembly by manual or automatic tools
- Chromium VI free finish on all materials



Available in:-

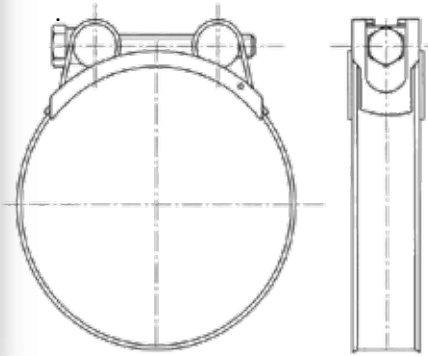
Mild Steel Zinc Plated

304 Stainless Steel

316 Stainless Steel

Superclamps

Mild Steel Zinc Plated:



Part No.	Adjustment mm	Band Width mm	Band Thickness mm	Recommended Torque Nm	Maximum Torque Nm	Screw Head mm	Part No.
JSC19	17-19	18.0	0.6	4.5	6.0	8	JSC19
JSC22	20-22	18.0	0.6	4.5	6.0	8	JSC22
JSC25	23-25	18.0	0.6	4.5	6.0	8	JSC25
JSC28	26-28	18.0	0.6	4.5	6.0	8	JSC28
JSC31	29-31	18.0	0.6	4.5	6.0	8	JSC31
JSC35	32-35	20.0	1.0	6	8.0	10	JSC35
JSC39	36-39	20.0	1.0	6	8.0	10	JSC39
JSC43	40-43	20.0	1.0	6	8.0	10	JSC43
JSC47	44-47	20.0	1.0	6	8.0	10	JSC47
JSC51	48-51	20.0	1.0	6	8.0	10	JSC51
JSC55	52-55	20.0	1.0	6	8.0	10	JSC55
JSC59	56-59	20.0	1.0	6	8.0	10	JSC59
JSC63	60-63	20.0	1.0	6	8.0	10	JSC63
JSC67	64-67	25.0	1.5	18.5	25.0	13	JSC67
JSC73	68-73	25.0	1.5	18.5	25.0	13	JSC73
JSC79	74-79	25.0	1.5	18.5	25.0	13	JSC79
JSC85	80-85	25.0	1.5	18.5	25.0	13	JSC85
JSC91	86-91	25.0	1.5	18.5	25.0	13	JSC91
JSC97	92-97	25.0	1.5	18.5	25.0	13	JSC97
JSC103	98-103	25.0	1.5	18.5	25.0	13	JSC103
JSC112	104-112	25.0	1.5	18.5	25.0	13	JSC112
JSC121	113-121	25.0	1.5	18.5	25.0	13	JSC121
JSC130	122-130	25.0	1.5	18.5	25.0	13	JSC130
JSC139	131-139	25.0	1.5	18.5	25.0	13	JSC139
JSC148	140-148	25.0	1.8	18.5	25.0	13	JSC148
JSC161	149-161	25.0	1.8	18.5	25.0	13	JSC161
JSC174	162-174	25.0	1.8	18.5	25.0	13	JSC174
JSC187	175-187	25.0	1.8	18.5	25.0	13	JSC187
JSC200	188-200	25.0	1.8	18.5	25.0	13	JSC200
JSC213	201-213	25.0	1.8	18.5	25.0	13	JSC213
JSC226	214-226	25.0	1.8	18.5	25.0	13	JSC226
JSC239	227-239	25.0	1.8	18.5	25.0	13	JSC239

Corrosion Resistance: 168 hours NSS Test

Fastening: A/F screw – see table

Industry Recommendations:-



Quality Assurance:-



Mild Steel Zinc Plated